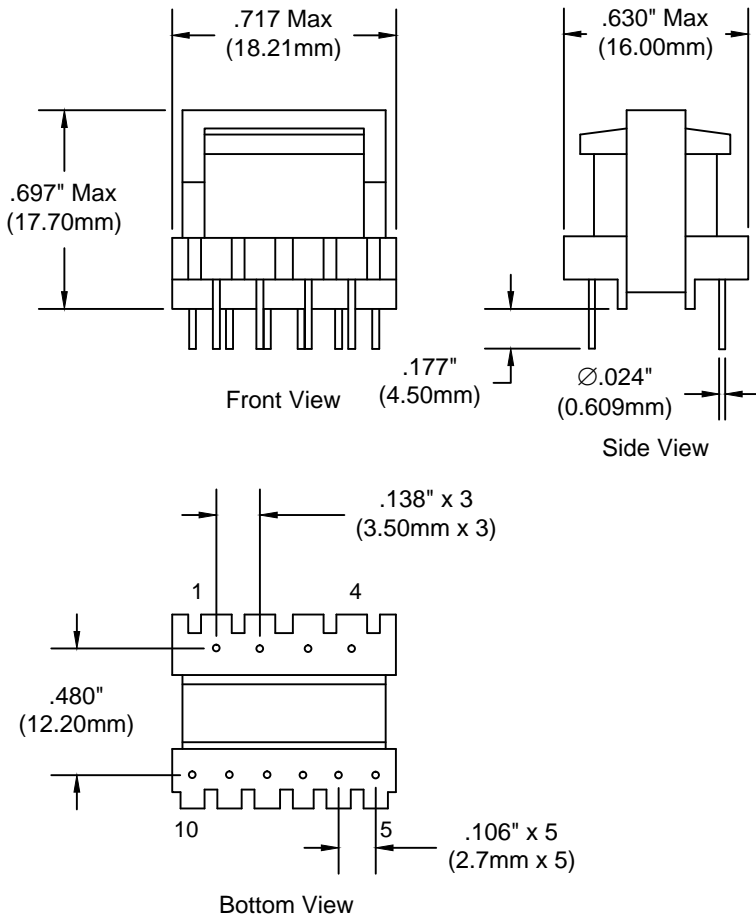


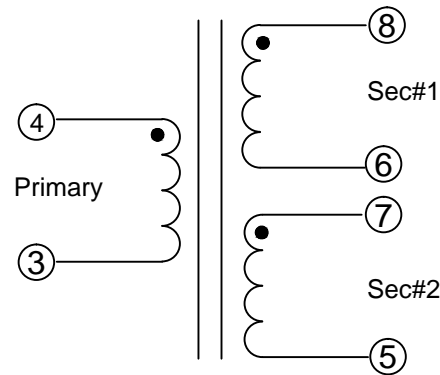
- SWITCHMODE THRU-HOLE TRANSFORMER DESIGNED FOR USE WITH POWER INTEGRATIONS TNY254 TINYSWITCH APPLICATION.
- PER EN60950, >5.0mm.
- 4.0W MAXIMUM.



REVISIONS			
DATE	REV	DESCRIPTION	APPV'D
12/02/2015	-1	Corrected length and pin diameter, were 18.2mm & .6mm	Tjk

Electrical Specifications:

Turns Ratio Pri : Sec #1 : Sec #2 = 1 : 0.091 : 0.091  
 DC Resistance Pri: 5.20 - 7.80 $\Omega$   
 DC Resistance Each Sec: 0.120 - 0.180 $\Omega$   
 Lpri (3 - 4) : 4.30 mH +/- 10% @ 10 KHz  
 Leakage Inductance (3 - 4) : 200  $\mu$ H Max @ 100 KHz Secondary windings shorted  
 Dielectric Strength : 4000 Vrms Pri-Sec  
 Bobbin Material : UL 94-V0  
 Pri-Sec Creepage Distance Per EN60950 >5.0mm;  
 Reinforced Insulation; 250Vrms working voltage



**PREM**  
MAGNETICS INCORPORATED

CUSTOM ENGINEERED MAGNETIC COMPONENTS  
 Johnsburg, Illinois  
 3521 N.CHAPEL HILL RD. / McHENRY, ILLINOIS 60051

SCALE : 1 : 2.25

APPROVED BY :

DRAWN BY : G.G.

DATE : 10/02/02

*Gary Garcia*

REVISED :

**Ac to Dc Converter Transformer p/n SPP-3004**

Designed for Tny254 Chip up to 4.0W; Ac: 85 - 265Vac, 2 DC outputs from 6Vdc up to 10Vdc or 1 DC output from 12Vdc up to 24Vdc

DRAWING NUMBER

**A-3004-1**